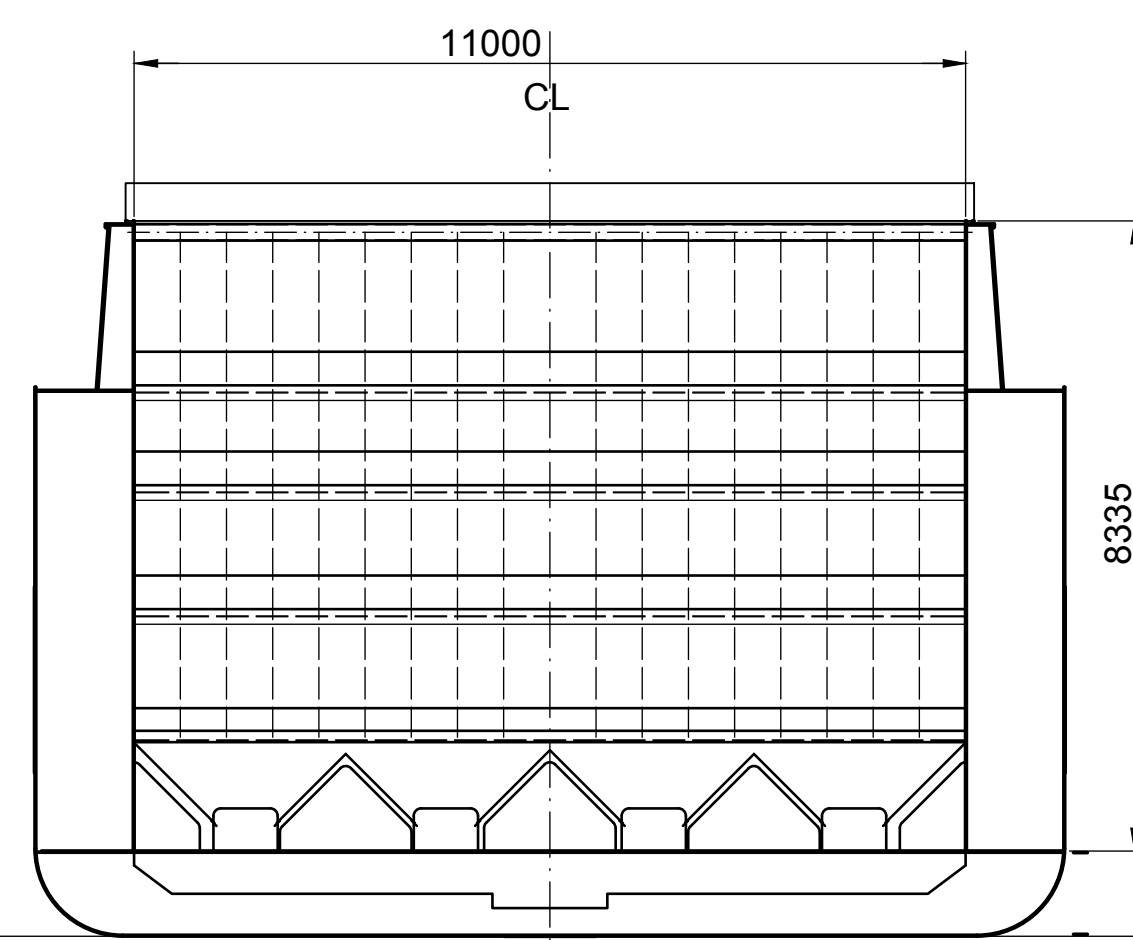
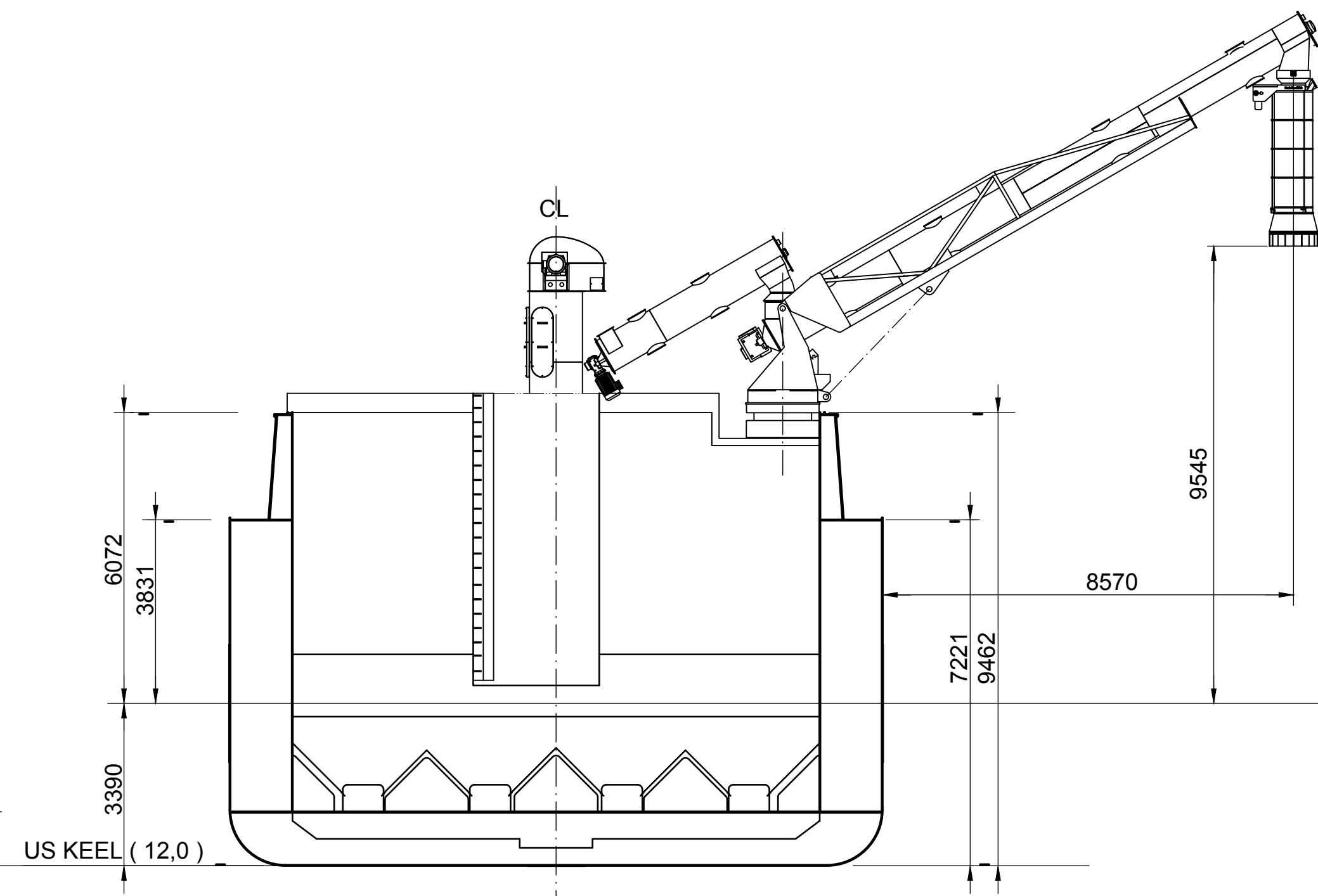


**LOADED**  
AT PLIMSOLL MARK

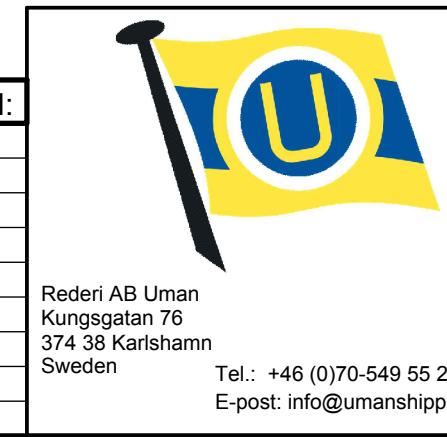


**BULKHEADS #30 & #96**



**BALLAST**  
AT PLIMSOLL MARK

EDITION	DESCRIPTION:	DATE:	SIGN:
B	TANKTOP EQUIPMENT ADDED	2021-06-24	J.J.
A	PRELIMINARY	2021-03-28	J.J.



YARD:	DATE: 210328	CHECKED:	SCALE: A1 = 1:100 A3 = 1:200
	DRAWN: J.J.		
TITLE: <b>M/S "LISTER"</b> <b>CARGO HOLD DIMENSIONS</b>			
DWG. NO. 2104-1-320	ISSUE: B		